

PRODUCT SPECIFICATION

MODEL SG-BPI-8V



SPECIFICATIONS

Product information

Adaptive air volume	16,000 CFM '27,200 m ³ /h)
Application area	1300m ²
Shell material	Metal material
Weight	14.5 kg
Product size	545*280*450 mm
Noise	≤20 dB

Electrical

Rated Voltage	220V AC / 240V AC
Frequency	50 / 60 Hz
Power	50 W

Internal Fuse/overload safety protection design and Power dual protection

Ionization Tube

Quantity	8 pcs
Size	520 mm
Estimated Tube Life	17,000 Hours
Material	Various composite materials, stainless steel outer mesh



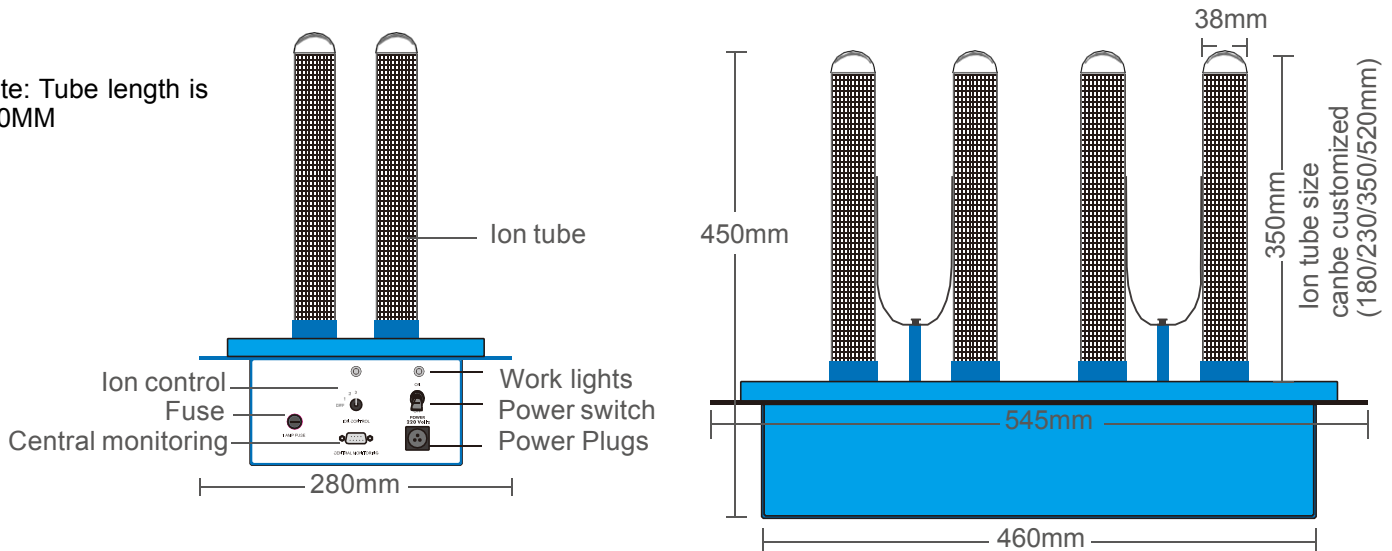
APPLICATION

SG-BPI-8V Ionization system is designed to be mounted in the supply air duct or air handling system of a heating, cooling or ventilation system. Power to the unit can be controlled with an optional air pressure differential switch or interlocked with the HVAC fan operation, provided the power delivered to the unit does not exceed its rated voltage. Ionization intensity can be adjusted with a threestep knob on the unit. Power to the unit can be turned off at the unit or quick disconnect at the power cord.

Optional / Available :

1. Air Pressure Switch
2. Remote Monitoring Panel
3. Ions Intensity Control

Note: Tube length is 520MM



PurAire Division of ProMedUSA Pte Ltd

111 North Bridge Road • Singapore 179098 • Tel: 6836 9665 • Sales@purairesg.com • www.purairesg.com

V2-0325