

# PRODUCT SPECIFICATIONS

## MODEL SG-BPI-1V



### SPECIFICATIONS

#### Product information

Adaptive air volume	1,000 CFM (1,700 m³/h)
Application area	80 m²
Shell material	SPCC
Weight	2.55 kg
Product size	192*192*430 mm
Noise	≤20 dB

#### Electrical

Rated Voltage	220V AC / 240V AC
Frequency	50 / 60 Hz
Power	6 W Internal
Fuse/overload safety protection design and Power dual protection	

#### Ionization Tube

Quantity	1 pcs
Size	350 mm
Estimated Tube Life	17,000 Hours
Material	Various composite materials, Stainless steel mesh

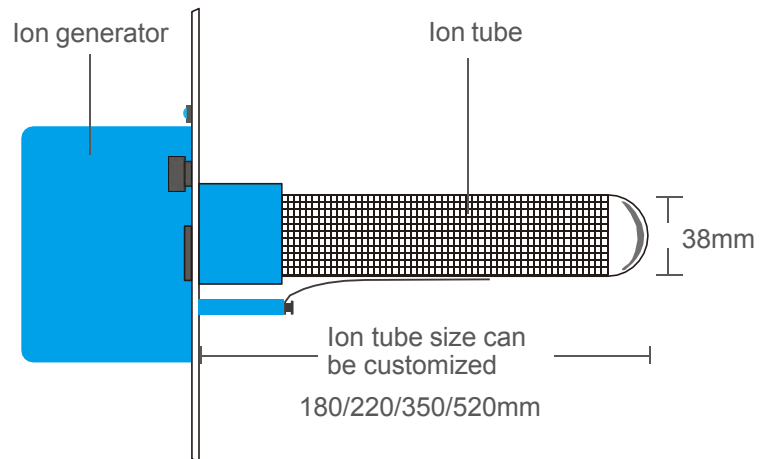
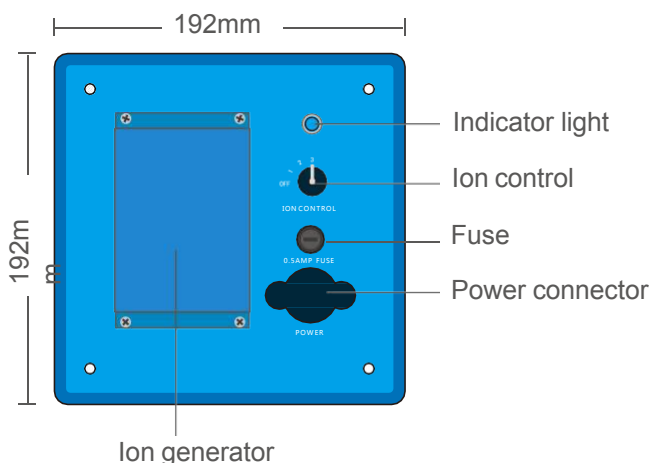


### APPLICATION

SG-BPI-1V Ionization system is designed to be mounted in the supply air duct or air handling system of a heating, cooling or ventilation system. Power to the unit can be controlled with an optional air pressure differential switch or interlocked with the HVAC fan operation, provided the power delivered to the unit does not exceed its rated voltage. Ionization intensity can be adjusted with a threestep knob on the unit. Power to the unit can be turned off at the unit or quick disconnect at the power cord.

Optional/ Available :

1. Air Pressure Switch
2. Remote Monitoring Panel
3. Ion Intensity Control



PurAire Division of ProMedUSA Pte Ltd

111 North Bridge Road • Singapore 179098 • Tel: 6836 9665 • Sales@purair.sg • www.purair.sg

V2-0325